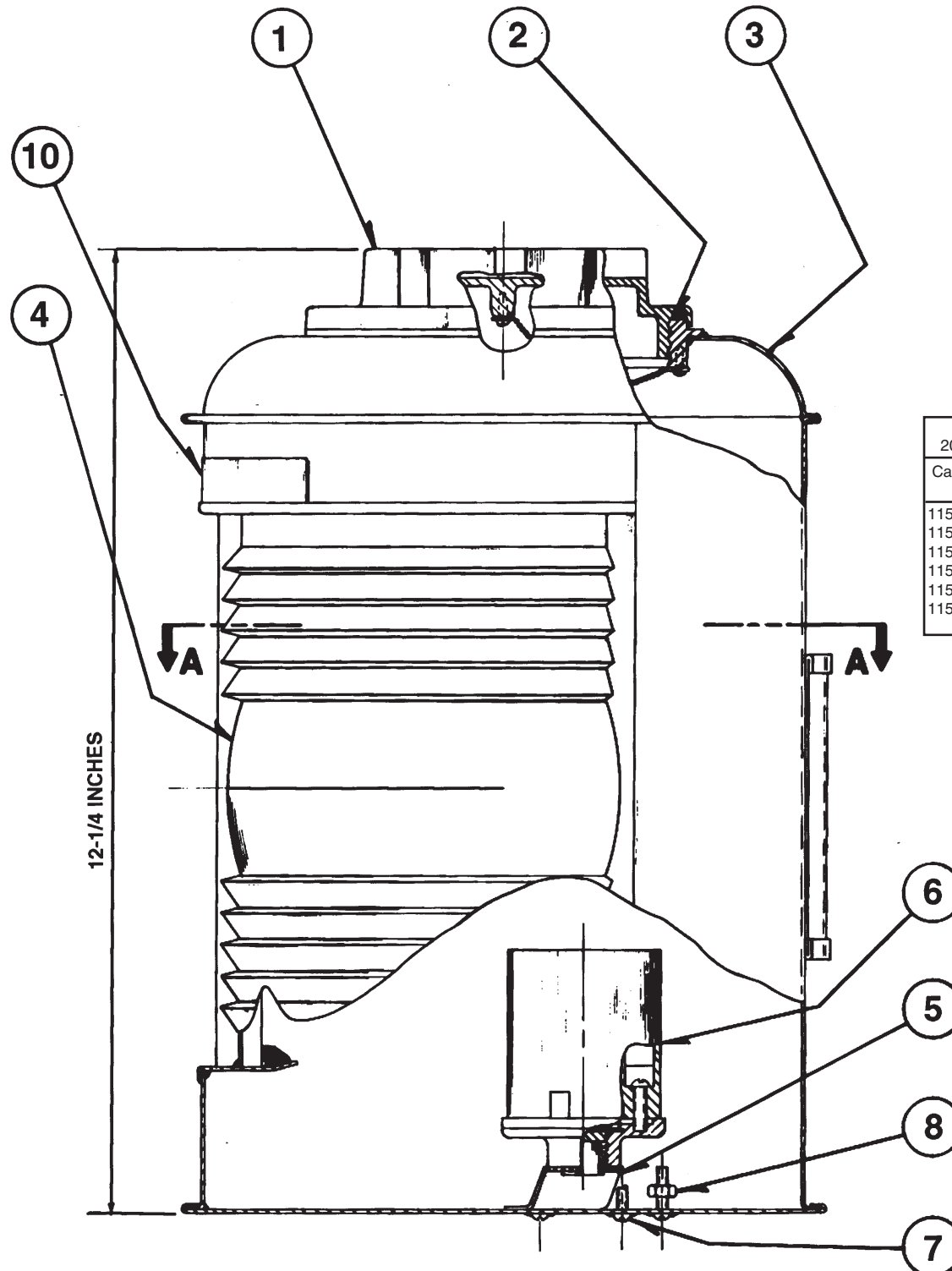
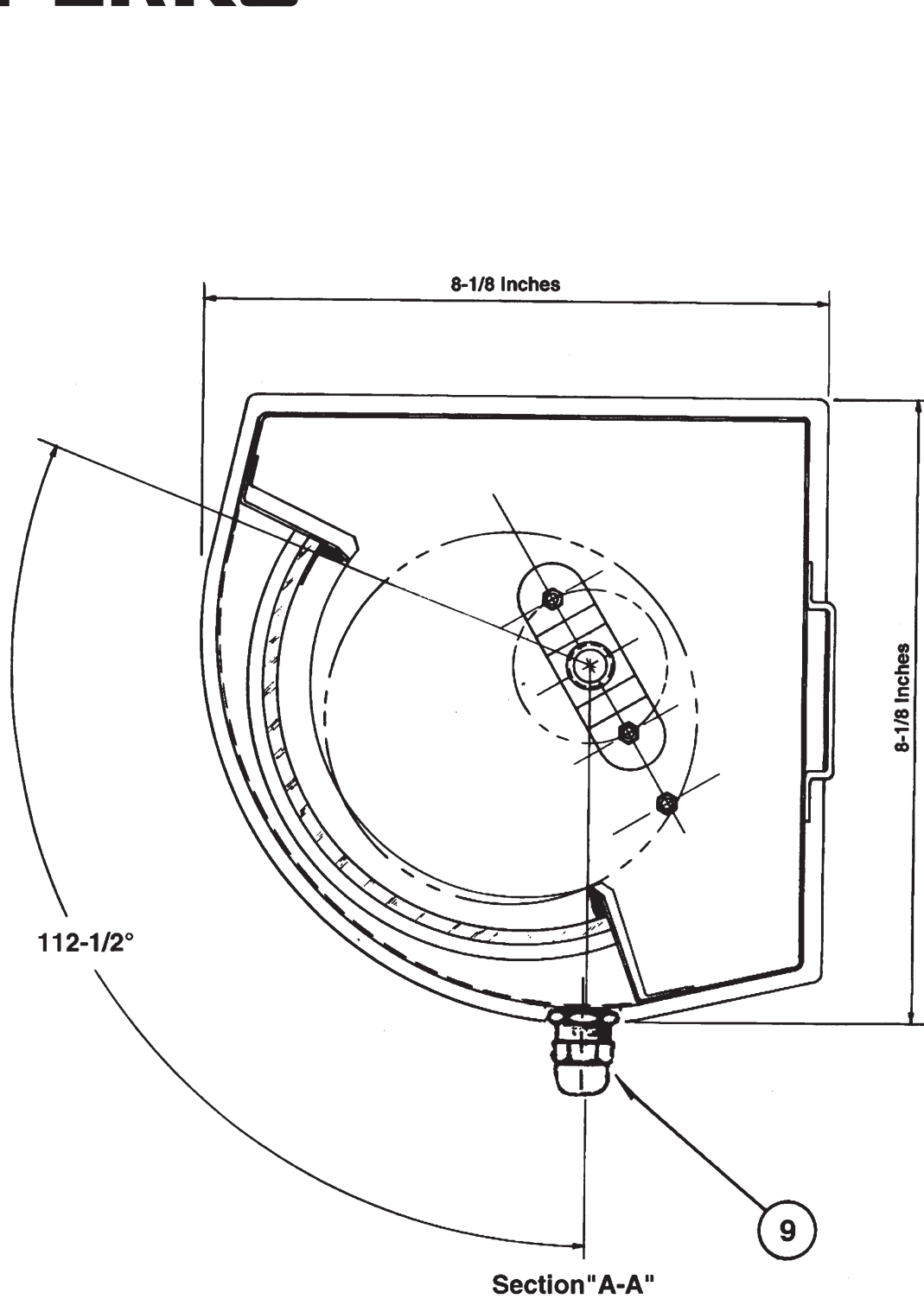


PERKO®



Bill of Material

No.	Name of Piece	No. Req.	Material	Size & Spec.
1	Cap & Cable	1	Polycarb.	Fig. No. 1105
2	O-Ring Fig. No. 1119	1	Neoprene	4-5/8x4-1/4x1/8
3	Body	1	Brass or Galv. Steel	20 GA-.032
4	Lens	1	Polycarb.	See Note #1
5	Socket Support Stand	1	Brass	Fig.No. 034-001PLB
6	Socket	1		See Note #2
7	Socket, Mounting Screws	2	S/S	8-32 x 3/4" R.H.
8	Ground Screw & Nut	1	S/S	8-32 x 3/4" R.H.
9	Packing Nut & Gland Ring	1	Polycarb.	for 7/16" Cable
10	Certification Plate	1	Brass	Not Available As Repl Pt.
11	Mounting Bracket	1	Aluminum	Fig. No.0143000ALU

NOTES:

1. Lens - Red - Port Side: Cat. No. 0259001RED
Green - Starboard Side: Cat. No. 0259001GRN

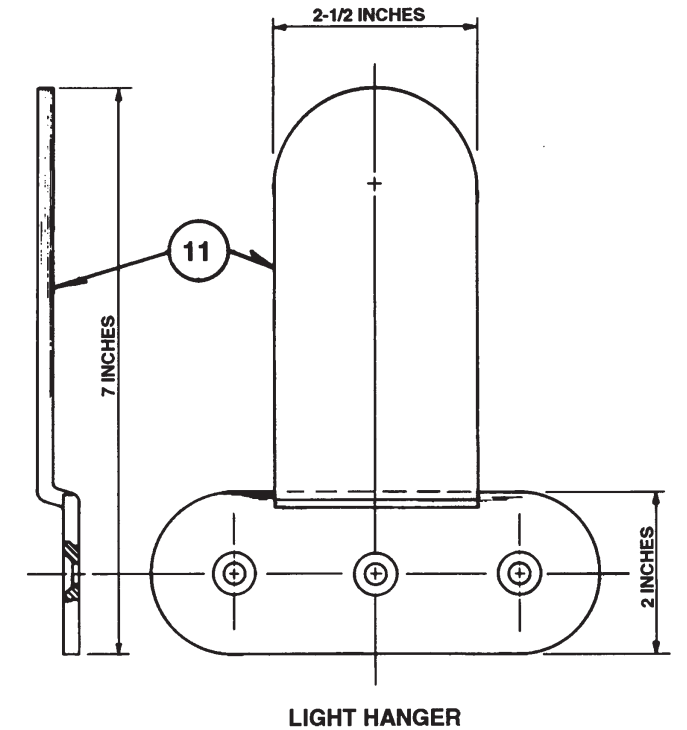
2. Socket - Medium Prefocus: Cat. No. 0347A

3. Weight - 4Lbs. - 9 ozs

VISIBILITY AND WATTAGE SPECIFICATIONS*

For Vessels
20 Meters (65.6 Ft.) to 50 Meters (164.0 Ft.) in Length

Cat. No.	Finish	Description	Visible Arc	Visible Miles	Reg. Watts	Lamp Cat. No.
1150RE1GAL	Galv Steel	Red Sidelight	112-1/2°	2	25	0342000CLR
1150RE1PLB	Pln Brass	Red Sidelight	112-1/2°	2	25	0342000CLR
1150RE1POL	Pol Brass	Red Sidelight	112-1/2°	2	25	0342000CLR
1150GE1GAL	Galv Steel	Green Sidelight	112-1/2°	2	25	0342000CLR
1150GE1PLB	Pln Brass	Green Sidelight	112-1/2°	2	25	0342000CLR
1150GE1POL	Pol Brass	Green Sidelight	112-1/2°	2	25	0342000CLR



NOTE:
WIRE ONLY THROUGH TERMINAL TUBE USING 16/3 SO CABLE WITH 7/16 INCH NOMINAL O.D. TO RETAIN WATERTIGHT INTEGRITY AND COMPLY WITH U.L. 1104.

***Bulb Data -** These are special PERKO Navigation Lamps, 120 Volts, T-10, Prefocus Base, C-8 Filament, Clear 2-3/8 Inch L.C.L., and must be used to meet the '72 COLREGS.

These navigation lights meet the U.S. Coast Guard Requirements under the '72 COLREGS and are classified by Underwriters Laboratories Standard U.L. 1104 to meet the '72 COLREGS.

PERKO®

16490 N.W. 13th Avenue Miami, FL 33169-5707

Date: 8/24/82 Drawn By: D. Beutler

Scale: None Revised: 12/2/08

FIG. 1150RE1 AND 1150GE1
PORT AND STARBOARD SIDE NAVIGATION LIGHTS



NAVIGATION LIGHT CERTIFICATE OF COMPLIANCE

This navigation light has been tested and classified by UNDERWRITERS' LABORATORIES, INC. (U.L.) in accordance with the '72 COLREGS and the U.S. INLAND NAVIGATION RULES ACT OF 1980. When properly installed, and fitted with the correct lamp, this light is approved by the U.S. Coast Guard for use aboard U.S. Coast Guard inspected vessels. This certification is also accepted by other inspecting authorities. An identification plate attached to the light provides lamp replacement and official certification information.

Upon installation, record information below from the identification plate, as applicable to the class of vessel on which the light is to be fitted.

Type of Light _____
(Port SideLight or Starboard SideLight)

Cat. No. _____
(1150-RE1 or 1150-GE1)

D.O.M. No. _____
(Die Stamped)

Vessel Length _____
(Under 50 meters)

Replacement Lamp _____
(Cat No. of lamp)

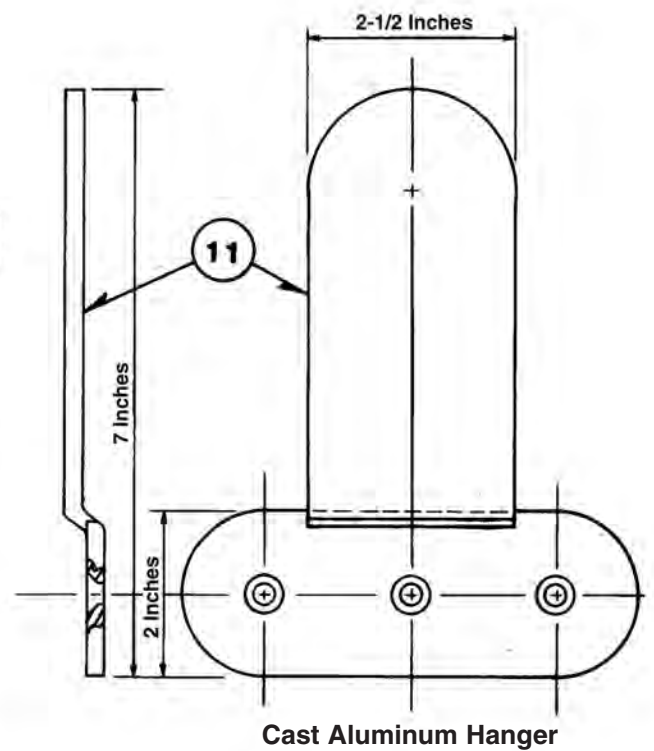
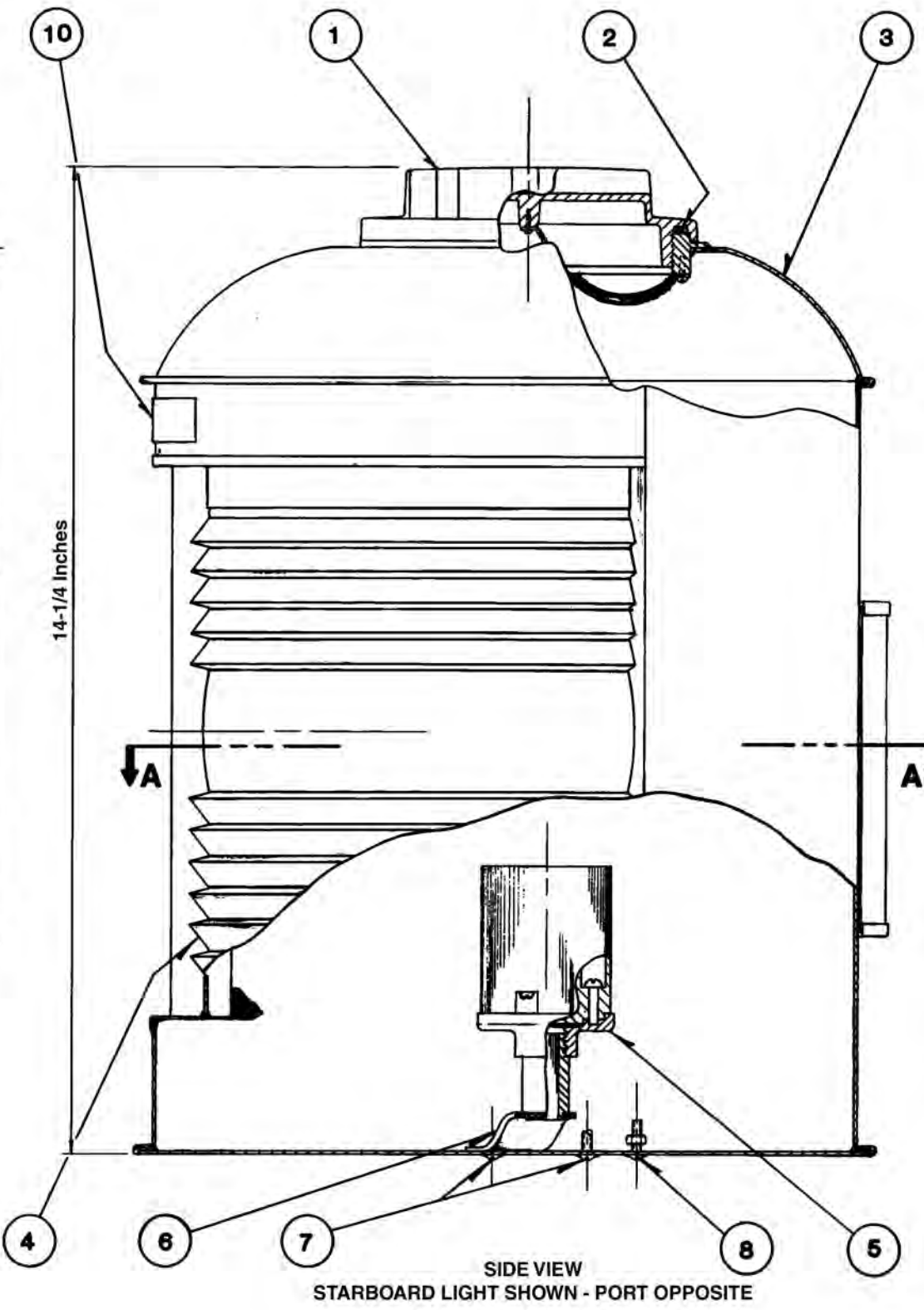
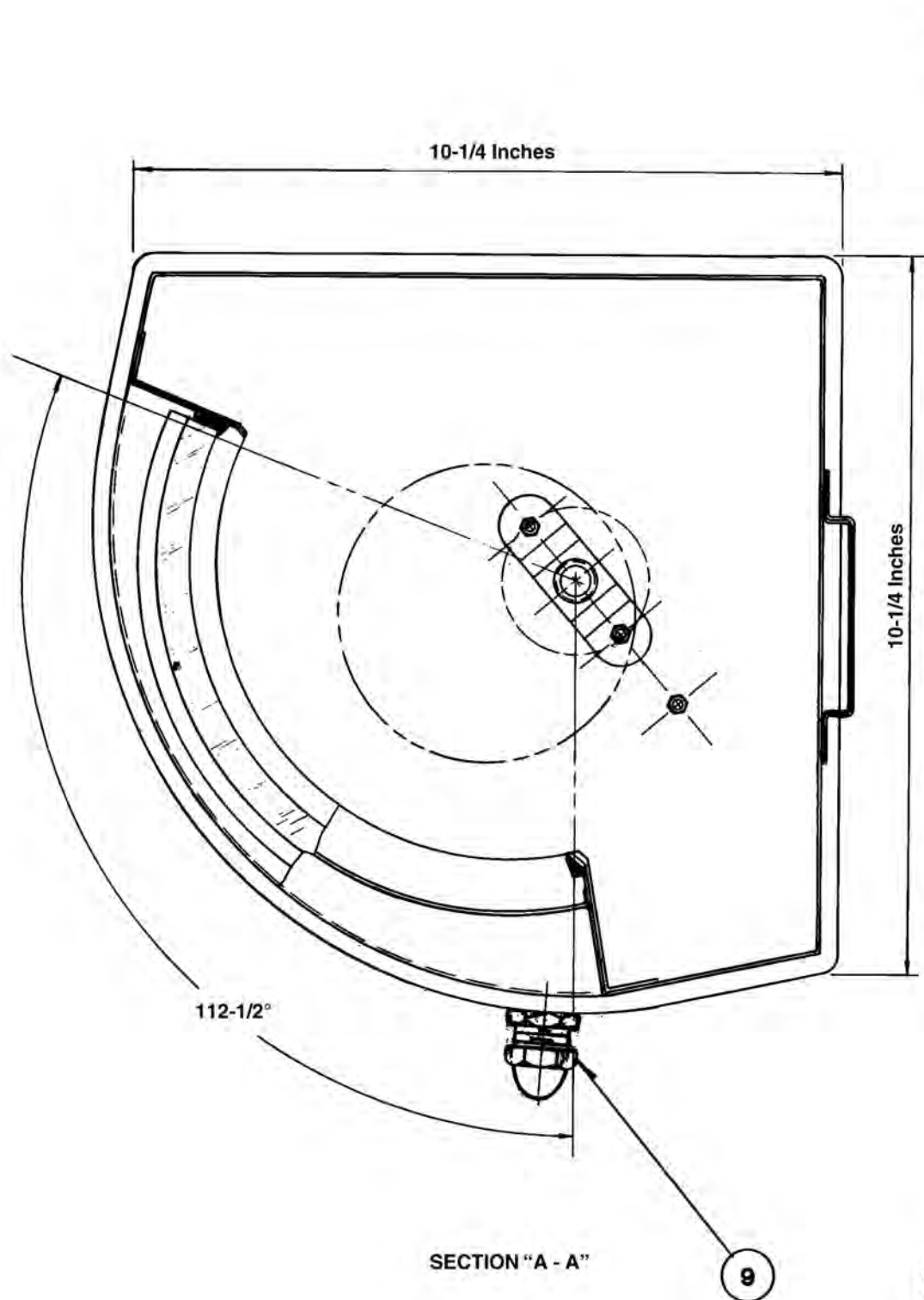
Date of Installation _____

Vessel Identification _____

12/08
1150INS1

PERKO, INC.
16490 N.W. 13th Avenue
Miami, FL 33169-5707
www.perko.com

PERKO®



Bill of Material

No.	Name of Piece	No. Req.	Material	Size & Spec.
1	Cap & Cable	1	Polycarb.	Fig. No. 1105
2	O-Ring Fig. No. 1119	1	Neoprene	4-5/8x4-1/4x1/8
3	Body	1	Brass or Galv. Steel	20 GA-.032
4	Lens	1	Polycarb.	See Note #1
5	Socket	1	Phenolic	See Note #2
6	Socket Support Stand	1	Brass	Fig. No. 0341-01A
7	Socket, Mounting Screws	2	S/S	8-32 x 3/4" R.H.
8	Ground Screw & Nut	1	S/S	8-32 x 3/4" R.H.
9	Packing Nut & Gland Ring	1	Plastic	for 7/16" Cable
10	Certification Plate	1	Brass	Not Available As Repl. Pt.
11	Mounting Bracket	1	Aluminum	Fig. No. 0143

NOTES:

1. Lens - American Made Fresnel, 112-1/2",
 Red - Port Side: Cat. No. 0259002RED
 Green - Starboard Side: Cat. No. 0259002GRN

2. Socket - Medium Prefocus Phenolic 250 Volts -Cat. No. 0347A00
 1000 Watts Bytant #3743 U.L. Listed

3. Weight - 7Lbs. - 9 ozs

VISIBILITY AND WATTAGE SPECIFICATIONS*

For Vessels over 20 Meters (65.6 Ft.) in Length

Cat. No.	Description	Visible Arc	Visible Miles	Reg. Watts	Lamp Cat. No.
1150RE2GAL	Red Sidelight	112-1/2°	2	60	0342004CLR
1150RE2PLB	Red Sidelight	112-1/2°	2	60	0342004CLR
1150RE2POL	Red Sidelight	112-1/2°	2	60	0342004CLR
1150GE2GAL	Green Sidelight	112-1/2°	2	60	0342004CLR
1150GE2PLB	Green Sidelight	112-1/2°	2	60	0342004CLR
1150GE2POL	Green Sidelight	112-1/2°	2	60	0342004CLR

NOTE:
 WIRE ONLY THROUGH TERMINAL TUBE USING 16/3 SJO CABLE WITH 7/16 INCH NOMINAL O.D. TO RETAIN WATERTIGHT INTEGRITY AND COMPLY WITH U.L. 1104.

These navigation lights meet the U.S. Coast Guard Requirements under the '72 COLREGS and are classified by Underwriters' Laboratories Standard U.L. 1104 to meet the '72 COLREGS.

***Bulb Data -** These are special PERKO Navigation Lamps, 120 Volts, T-10, Medium Prefocus Base, C-8 Filament, Clear 2-3/8 Inch L.C.L., and must be used to meet the '72 COLREGS.

PERKO®

16490 N.W. 13th Avenue Miami, FL 33169-5707

Date: 9/9/82 Drawn By: D. Beutler

Scale: None Revised: 12/2/08

FIG. 1150RE2 AND 1150GE2
 PORT AND STARBOARD SIDE NAVIGATION LIGHTS



NAVIGATION LIGHT CERTIFICATE OF COMPLIANCE

This navigation light has been tested and classified by UNDERWRITERS' LABORATORIES, INC. (U.L.) in accordance with the '72 COLREGS and the U.S. INLAND NAVIGATION RULES ACT OF 1980. When properly installed, and fitted with the correct lamp, this light is approved by the U.S. Coast Guard for use aboard U.S. Coast Guard inspected vessels. This certification is also accepted by other inspecting authorities. An identification plate attached to the light provides lamp replacement and official certification information.

Upon installation, record information below from the identification plate, as applicable to the class of vessel on which the light is to be fitted.

Type of Light _____
(Port SideLight or Starboard SideLight)

Cat. No. _____
(1150-RE2 or 1150-GE2)

D.O.M. No. _____
(Die Stamped)

Vessel Length _____
(Over 20 meters)

Replacement Lamp _____
(Cat No. of lamp)

Date of Installation _____

Vessel Identification _____

12/08
1150INS2

PERKO, INC.
16490 N.W. 13th Avenue
Miami, FL 33169-5707
www.perko.com